



6JN6

COMPACTRON BEAM PENTODE

DESCRIPTION AND RATING

The 6JN6 is a compactron beam-power pentode primarily designed for use as the horizontal-deflection amplifier in television receivers. A separate connection is provided for the beam plates to minimize "snivets".

GENERAL

ELECTRICAL

Cathode - Coated Unipotential

Heater Characteristics and Ratings

Heater Voltage, AC or DC* 6.3±0.6 Volts

Heater Current†. 1.2 Amperes

Direct Interelectrode Capacitances, approximate§

Grid-Number 1 to Plate:

(g1 to p). 0.34 pf

Input: g1 to (h + k + g2 + b.p.) . 16 pf

Output: p to (h + k + g2 + b.p.) . 7.0 pf

MECHANICAL

Operating Position - Any

Envelope - T-12, Glass

Base - E12-74, Button 12-Pin

Outline Drawing - EIA 12-56

Maximum Diameter 1.563 Inches

Maximum Over-all Length. 2.875 Inches

Maximum Seated Height 2.500 Inches

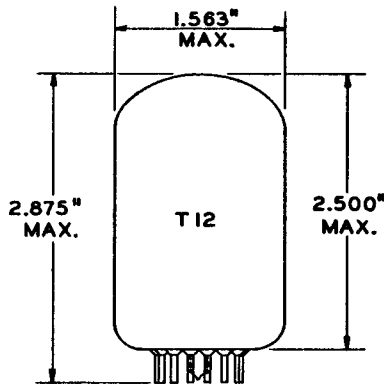
MAXIMUM RATINGS

Design-Maximum ratings are limiting values of operating and environmental conditions applicable to a bogey electron tube of a specified type as defined by its published data and should not be exceeded under the worst probable conditions.

The tube manufacturer chooses these values to provide acceptable serviceability of the tube, making allowance for the effects of changes in operating conditions due to variations in the characteristics of the tube under consideration.

The equipment manufacturer should design so that initially and throughout life no design-maximum value for the intended service is exceeded with a bogey tube under the worst probable operating conditions with respect to supply-voltage variation, equipment component variation, equipment control adjustment, load variation, signal variation, environmental conditions, and variations in the characteristics of all other electron devices in the equipment.

PHYSICAL DIMENSIONS

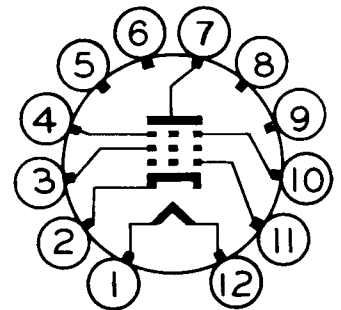


EIA 12-56

TERMINAL CONNECTIONS

- Pin 1 - Heater
- Pin 2 - Cathode
- Pin 3 - Grid Number 2 (Screen)
- Pin 4 - Beam Plates
- Pin 5 - No Connection
- Pin 6 - No Connection
- Pin 7 - Plate
- Pin 8 - No Connection
- Pin 9 - No Connection
- Pin 10 - Beam Plates
- Pin 11 - Grid Number 1
- Pin 12 - Heater

BASING DIAGRAM



EIA 12FK

The tubes and arrangements disclosed herein may be covered by patents of General Electric Company or others. Neither the disclosure of any information herein nor the sale of tubes by General Electric Company conveys any license under patent claims covering combinations of tubes with other devices or elements. In the absence of an

express written agreement to the contrary, General Electric Company assumes no liability for patent infringement arising out of any use of the tubes with other devices or elements by any purchaser of tubes or others.

MAXIMUM RATINGS (Cont'd)

HORIZONTAL-DEFLECTION AMPLIFIER SERVICE ¶—DESIGN-MAXIMUM VALUES

DC Plate-Supply Voltage (Boost + DC Power Supply) 770	Volts
Peak Positive Pulse Plate Voltage	6500	Volts
Peak Negative Pulse Plate Voltage	1500	Volts
Positive DC Beam Plate Voltage	70	Volts
Screen Voltage	220	Volts
Negative DC Grid-Number 1 Voltage	55	Volts
Peak Negative Grid-Number 1 Voltage	330	Volts
Plate Dissipation#	17.5	Watts
Screen Dissipation	3.5	Watts
DC Cathode Current	175	Milliamperes
Peak Cathode Current	550	Milliamperes
Heater-Cathode Voltage			
Heater Positive with Respect to Cathode			
DC Component	100	Volts
Total DC and Peak	200	Volts
Heater Negative with Respect to Cathode			
Total DC and Peak	200	Volts
Grid-Number 1 Circuit Resistance	1.0	Megohms
Bulb Temperature at Hottest Point	220	C

CHARACTERISTICS AND TYPICAL OPERATION

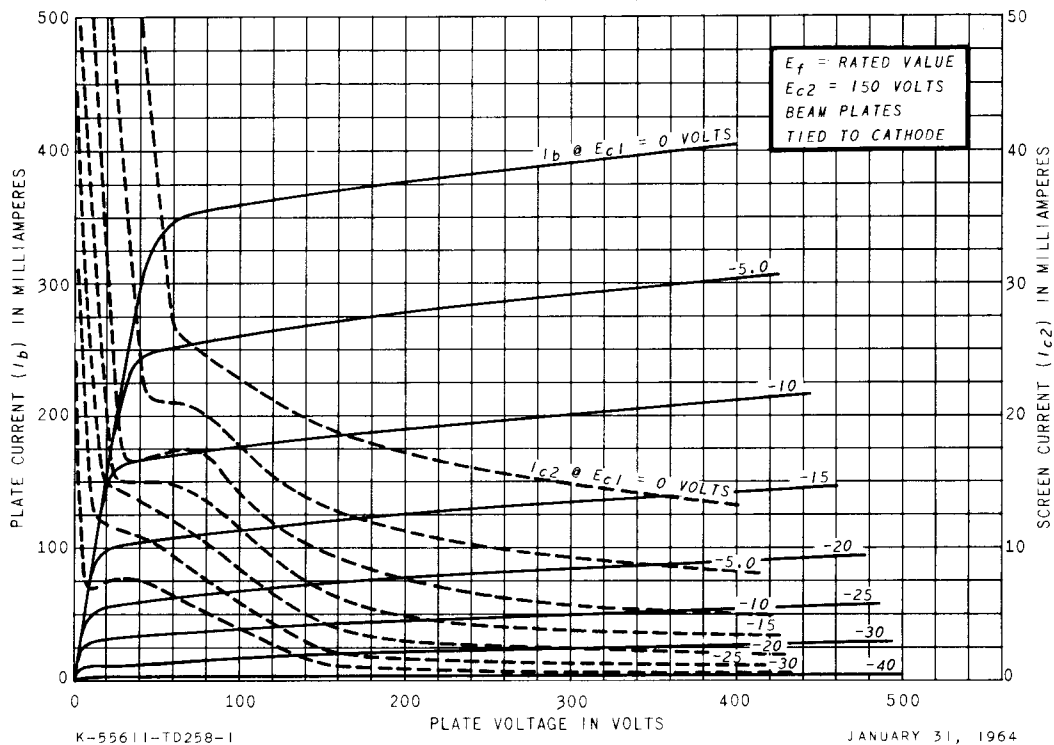
AVERAGE CHARACTERISTICS

Plate Voltage	5000	60	250	Volts
Beam Plates, Connected to Cathode at Socket					
Screen Voltage	150	150	150	Volts
Grid-Number 1 Voltage	---	0Δ	-22.5	Volts
Plate Resistance, approximate	---	---	18000	Ohms
Transconductance	---	---	7300	Micromhos
Plate Current	---	345	65	Milliamperes
Screen Current	---	27	1.8	Milliamperes
Grid-Number 1 Voltage, approximate					
I _b = 1.0 Milliamperes	-100	---	-42	Volts
Triode Amplification Factor**	---	---	4.4	

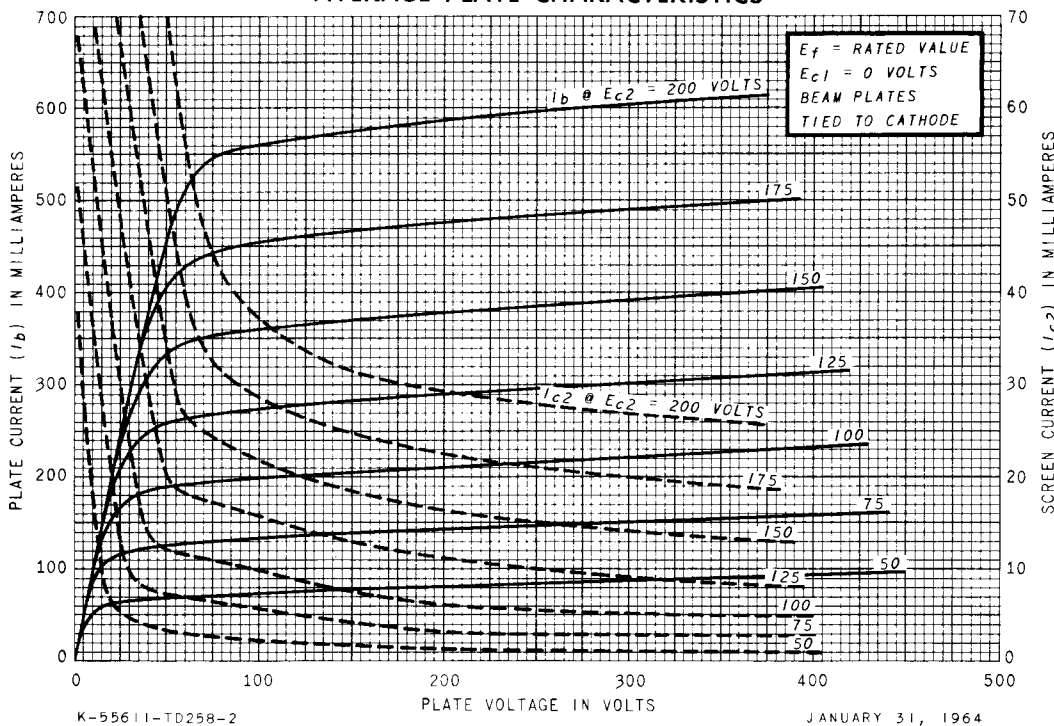
NOTES

- * The equipment designer should design the equipment so that heater voltage is centered at the specified bogey value, with heater supply variations restricted to maintain heater voltage within the specified tolerance.
- ‡ Heater current of a bogey tube at E_f = 6.3 volts.
- § Without external shield.
- ¶ For operation in a 525-line, 30-frame television system as described in "Standards of Good Engineering Practice Concerning Television Broadcast Stations", Federal Communications Commission. The duty cycle of the voltage pulse must not exceed 15 percent of one scanning cycle.
- # In stages operating with grid-leak bias, an adequate cathode-bias resistor or other suitable means is required to protect the tube in the absence of excitation.
- Δ Applied for short interval (two seconds maximum) so as not to damage tube.
- ** Triode connection (screen triode to plate) with E_b = E_{c2} = 150 volts and E_{c1} = -22.5 volts.

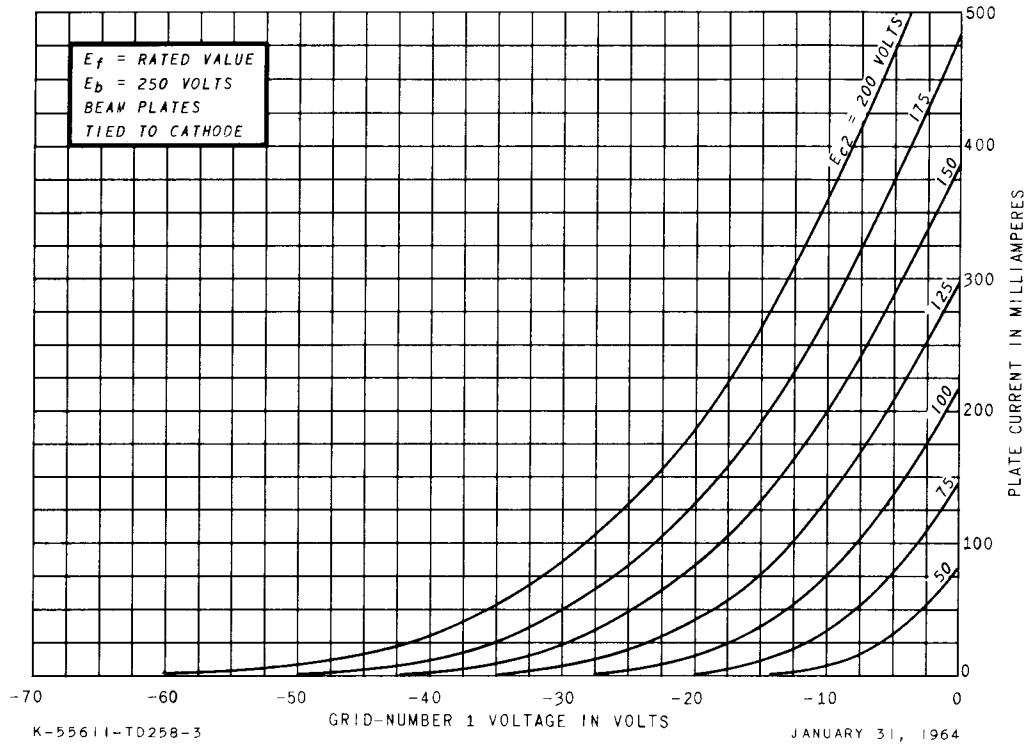
AVERAGE PLATE CHARACTERISTICS



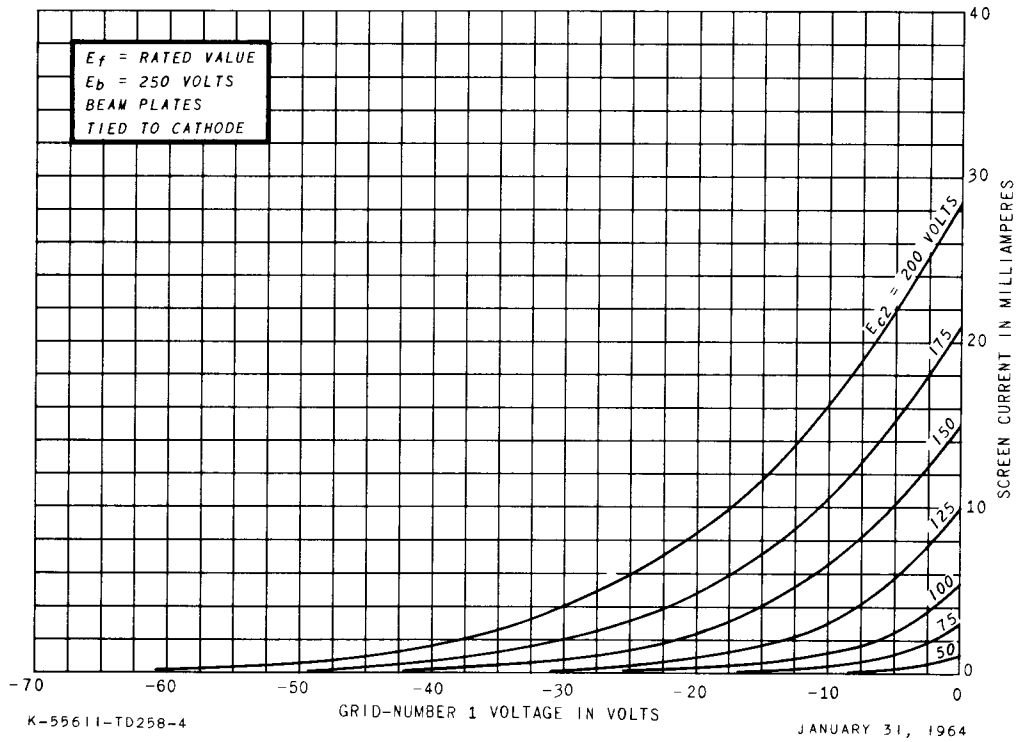
AVERAGE PLATE CHARACTERISTICS



AVERAGE TRANSFER CHARACTERISTICS



AVERAGE TRANSFER CHARACTERISTICS



TUBE DEPARTMENT



Owensboro, Kentucky