

PLIOTRON

DESCRIPTION

The PJ-21 is a high-vacuum tube designed for use in amplification and relay applications. The low grid power and uniformity of characteristics are particularly valuable in many control applications.

TECHNICAL INFORMATION

These data are for reference only. For design information refer to specifications.

GENERAL CHARACTERISTICS

Number of electrodes	3
Electrical	
Filament voltage	4.5 volts
Filament current	1.1 amperes
Average characteristics when $E_b = 350$ volts, $I_b = 19.5$ milliamperes, $E_r = 4.5$ volts d-c	
Grid voltage	-83 volts
Amplification factor	3
Grid-plate transconductance	950 micromhos
Direct interelectrode capacitance	
Grid-plate	7.5 micromicrofarads
Grid-cathode	3.0 micromicrofarads
Plate-cathode	4.0 micromicrofarads



TECHNICAL INFORMATION (CONT'D)

Mechanical

Base	medium 4-pin bayonet
Net weight, approx.	2 ounces
Shipping weight, approx.	3 pounds
Operating position	vertical or horizontal with plane of electrodes vertical

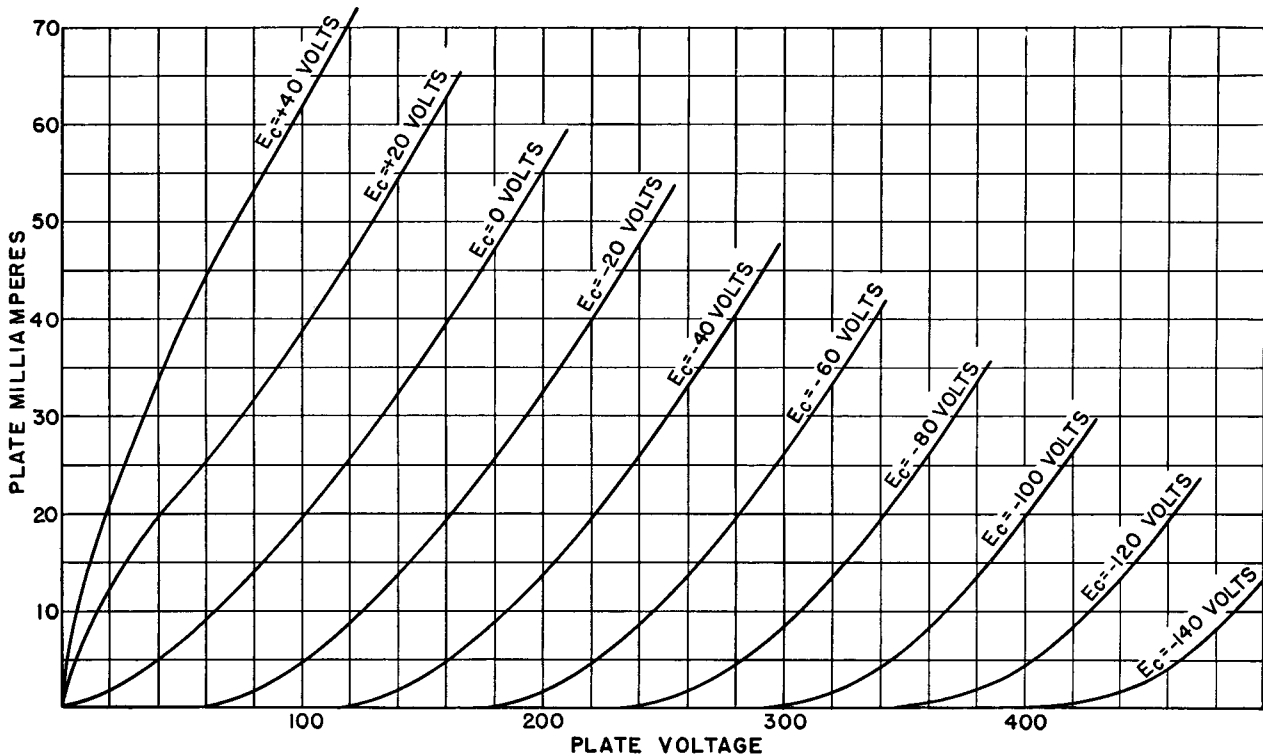
MAXIMUM RATINGS AND TYPICAL OPERATING CONDITIONS

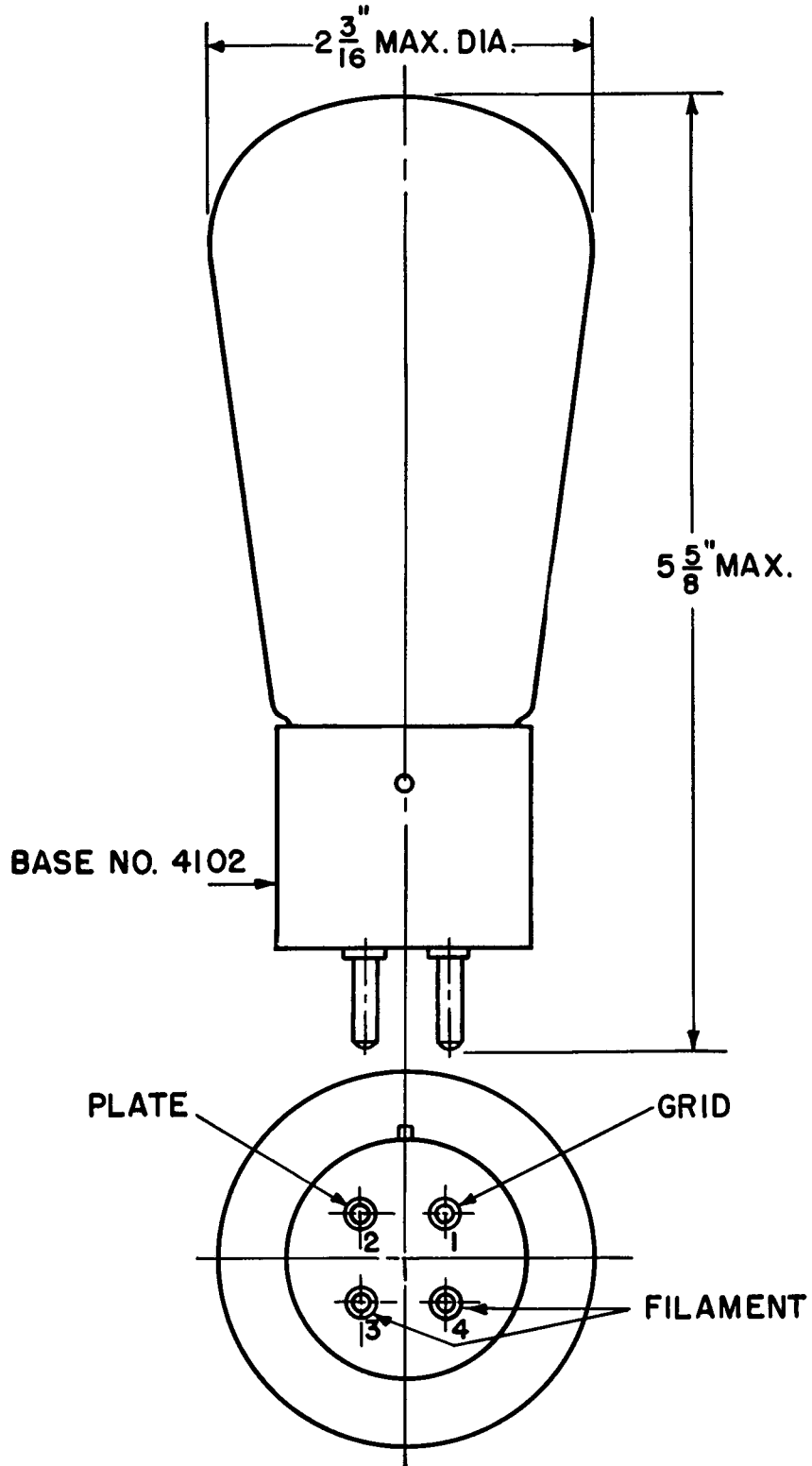
CLASS A AUDIO-FREQUENCY AMPLIFIER AND MODULATOR

	Typical Operation	Maximum Ratings
D-c plate voltage	350	350 volts
Plate dissipation	7.5 watts
D-c grid voltage	-83	... volts
Peak grid swing, approx.	83	... volts
D-c plate current	19.5	... milliamperes
Plate resistance	3200	... ohms
Load resistance	7500	... ohms
Plate power output, 5% second harmonic	1.7	... watts

PJ-21 AVERAGE PLATE CHARACTERISTICS

$I_f = 1.1$ AMPERES D-C
 ($E_f = 4.5$ VOLTS, APPROX.)





K-3846047

6-9-44

OUTLINE PJ-21 PIOTRON

Electronics Department
GENERAL  ELECTRIC
Schenectady, N. Y.