



**ELECTRONIC
INNOVATIONS
IN ACTION**

MICROWAVE DEVICES

Y-1223

Development Type *

Planar Triode

The Y-1223 is a triode of ceramic-and-metal planar construction intended for use as a radio-frequency CW amplifier or oscillator at frequencies up to 2500 megacycles. This triode features very high transconductance desirable for maximum gain-bandwidth in broadbanded power amplifiers.

CHARACTERISTICS AND TYPICAL OPERATION

AVERAGE CHARACTERISTICS

	Minimum	Bogey	Maximum	Units	Test Conditions				
					Ef V	Eb V	Ib Ma	RL Ohms	Rk Ohms
Heater Voltage, AC or DC •	6.0	6.3	6.6	Volts					
Heater Current	---	450	---	Milliamperes	6.3	---	---	---	---
Plate Current	---	100	---	Milliamperes	6.3	300	---	---	10
Amplification Factor	---	125	---		6.3	300	---	---	10
Transconductance	---	84000	---	Micromhos	6.3	300	---	---	10
Grid Voltage, Cutoff	---	-5.5	---	Volts	6.3	300	0.1	100000	---
Direct Interelectrode Capacitances ♦									
Grid to Plate: (g to p)	---	2.5	---	pf					
Input: g to (h+k)	---	7.0	---	pf					
Output: p to (h+k)	---	0.03	---	pf					
Cathode Heating Time	60	---	---	Seconds					

UHF OSCILLATOR SERVICE

Frequency	450	Megahertz
DC Plate Voltage	500	Volts
Grid Resistor	Adjusted	
Plate Current	70	Milliamperes
Grid Current	15	Milliamperes
Power Output	18	Watts

NOTES

- * Both electrical and mechanical characteristics of development types are subject to change; therefore, it is recommended that designers consult their General Electric field representative before designing equipment around developmental types.
- The equipment designer should design the equipment so that heater voltage is centered at the specified bogey value, with heater supply variations restricted to maintain heater voltage within the specified tolerance.
- ♦ Measured at 450 KHz using a grounded adapter that provides shielding between external terminals of tube.

ABSOLUTE-MAXIMUM RATINGS

Plate Voltage	600	Volts
Positive DC Grid Voltage.....	0	Volts
Negative DC Grid Voltage	50	Volts
Plate Dissipation.....	30	Watts
DC Grid Current.....	20	Milliamperes
DC Cathode Current	100	Milliamperes
Peak Cathode Current	500	Milliamperes
Heater-Cathode Voltage		
Heater Positive with Respect to Cathode	50	Volts
Heater Negative with Respect to Cathode	50	Volts
Grid Circuit Resistance	10000	Ohms
Envelope Temperature at Hottest Point ▲	250	°C
Temperature Differential Between Two Adjacent Electrodes§	75	°C
Mechanical Vibration (20-2000 Hz Sinusoidal)	10	G Peak

Absolute-Maximum ratings are limiting values of operating and environmental conditions applicable to any electron device of a specified type as defined by its published data and should not be exceeded under the worst probable conditions.

The device manufacturer chooses these values to provide acceptable serviceability of the device, making no allowance for equipment variations, environmental variations, and the effects of changes in operating conditions due to variations in the characteristics of the device under consideration and

of all other electron devices in the equipment.

The equipment manufacturer should design so that initially and throughout life no absolute-maximum value for the intended service is exceeded with any device under the worst probable operating conditions with respect to supply-voltage variation, equipment component variation, equipment control adjustment, load variation, signal variation, environmental conditions, and variations in the characteristics of the device under consideration and of all other electron devices in the equipment.

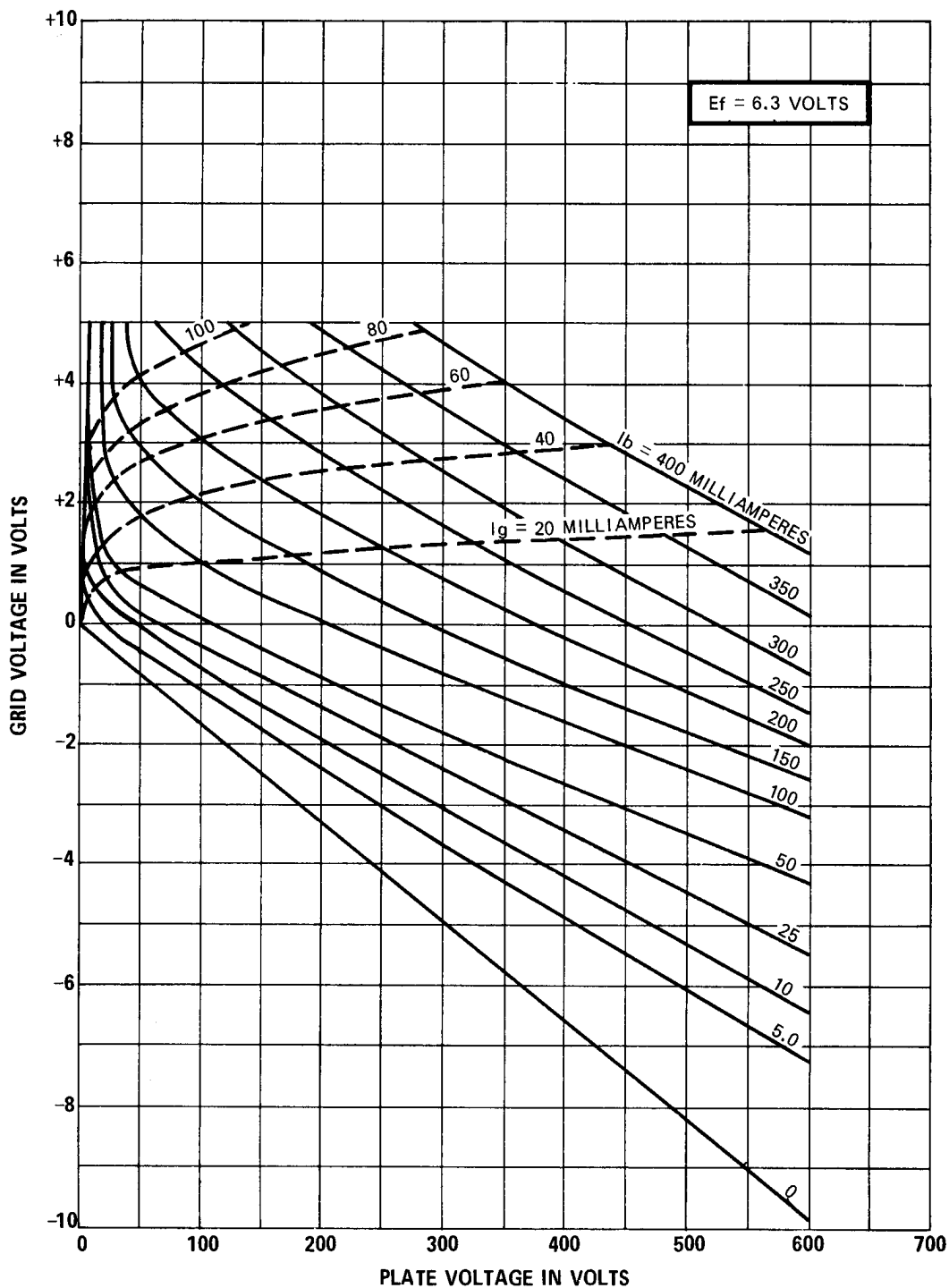
NOTES

- ▲ For specific recommendations concerning higher temperature operation, contact your General Electric sales representative.
- § This assumes no thermal heat sinking to any insulator.

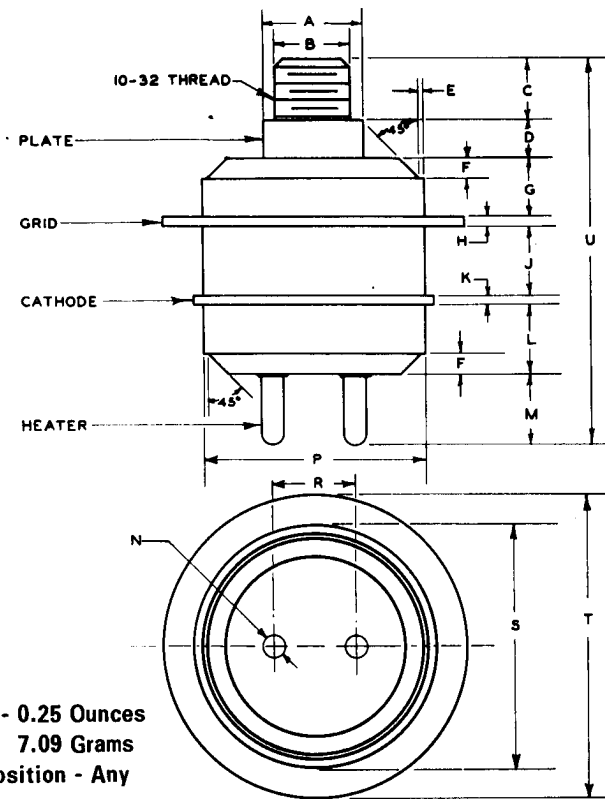
The devices and arrangements disclosed herein may be covered by patents of General Electric Company or others. Neither the disclosure of any information herein nor the sale of devices by General Electric Company conveys any license under patent claims covering combinations of these devices with other devices or elements. In the

absence of an express written agreement to the contrary, General Electric Company assumes no liability for patent infringement arising out of any use of these devices with other devices or elements by any purchaser or others.

AVERAGE CONSTANT-CURRENT CHARACTERISTICS



PHYSICAL DIMENSIONS



NOTES:

1. Net Weight - 0.25 Ounces
7.09 Grams
2. Mounting Position - Any

Ref.	INCHES			MILLIMETERS		
	Min.	Nom.	Max.	Min.	Nom.	Max.
A	0.247	0.250	0.253	6.274	6.350	6.426
B	---	---	0.190	---	---	4.826
C	0.125	0.145	0.165	3.175	3.683	4.191
D	0.090	0.100	0.110	2.286	2.540	2.794
E	---	0.005	---	---	0.125	---
F	0.040	0.050	0.060	1.016	1.270	1.524
G	0.145	0.150	0.155	3.683	3.810	3.937
H	0.025	0.028	0.031	0.635	0.711	0.787
J	0.166	0.171	0.176	4.216	4.318	4.470
K	0.025	0.028	0.031	0.635	0.711	0.787
L	0.170	0.175	0.180	4.318	4.445	4.572
M	0.170	0.175	0.180	4.318	4.445	4.572
N	0.047	0.050	0.053	1.194	1.270	1.346
P	0.535	0.550	0.565	13.59	13.97	14.35
R	0.186	0.200	0.214	4.724	5.080	5.436
S	0.598	0.603	0.608	15.19	15.32	15.44
T	0.748	0.753	0.758	19.00	19.13	19.25
U	0.916	0.972	1.028	23.27	24.69	26.11

TUBE PRODUCTS DEPARTMENT



Owensboro, Kentucky 42301