

## PICTURE TUBE FOR TELEVISION RECEPTION

9 - Inch Screen.

Heater	Vf = 4.0 V
	If = 1.0 A
Capacity	Cg = 13.0 uuF
Fluorescent Colour	- White
Deflection	- Double Electromagnetic

### → Operating Conditions

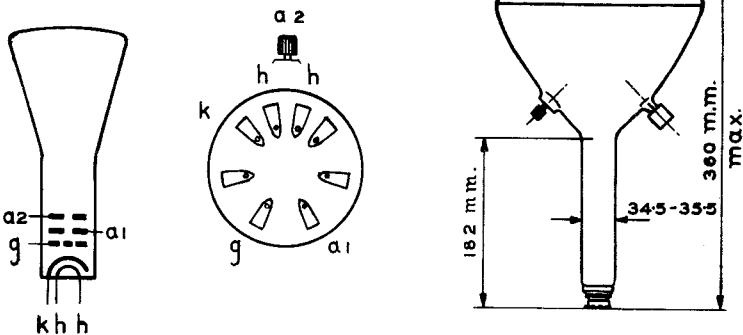
Va2 .....	5000	5000 V
Val .....	125	250 V
-Vg .....	0-50	0-100 V

→ With centre of deflection coils 203 mm. from the screen, the deflection sensitivity is 0.09L mm. per gauss.

L = length of the electron path through the field of the deflection coil (mm.)

### Limiting Values

Va2 max .....	5000	V
Val max .....	250	V
Ia2 max .....	100	uA ←
Screen dissipation (peak) .....	10	mW/cm <sup>2</sup> ←
Screen dissipation (continuous) .....	2	mW/cm <sup>2</sup> ←



# MW22-1

# Mullard PICTURE TUBE

